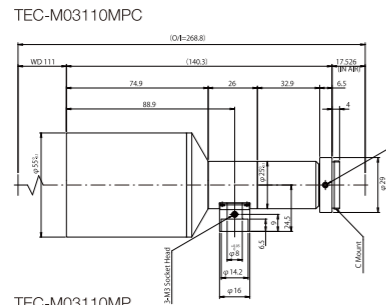
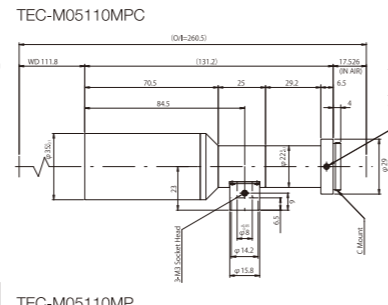


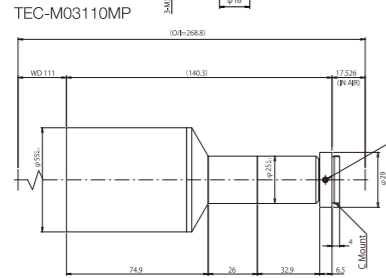
**TEC-M03110MPC
TEC-M03110MP**



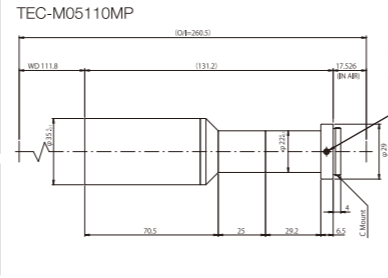
**TEC-M05110MPC
TEC-M05110MP**



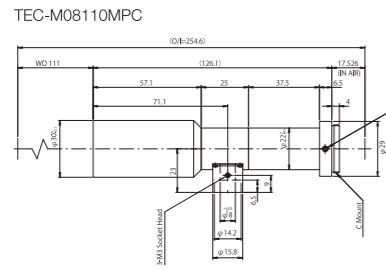
Model (with coaxial type)	TEC-M03110MPC
Model (straight type)	TEC-M03110MP
Format	2/3"φ11mm
Magnification	0.3x
Working Distance	111mm
Resolving Power *1	14.5μm
Depth of Field *2	5.75mm
NA	0.023
Effective F number	6.5
TV Distortion	0.026%
Field of View	2/3inch 29.3 x 22mm 1/1.8inch 23.9 x 17.7mm 1/2inch 21.3 x 16mm 1/3inch 16 x 12mm
Mount	C-mount
Weight (with coaxial type)	TBA
Weight (straight type)	TBA



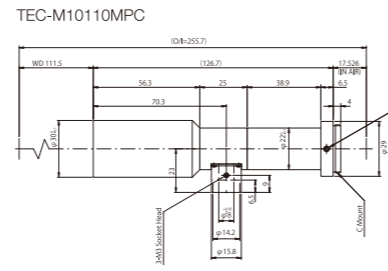
Model (with coaxial type)	TEC-M05110MPC
Model (straight type)	TEC-M05110MP
Format	2/3"φ11mm
Magnification	0.5x
Working Distance	111.8mm
Resolving Power *1	12.7μm
Depth of Field *2	3.03mm
NA	0.026
Effective F number	9.4
TV Distortion	-0.009%
Field of View	2/3inch 17.6 x 13.2mm 1/1.8inch 14.35 x 10.64mm 1/2inch 12.8 x 9.6mm 1/3inch 9.6 x 7.2mm
Mount	C-mount
Weight (with coaxial type)	131g
Weight (straight type)	128g



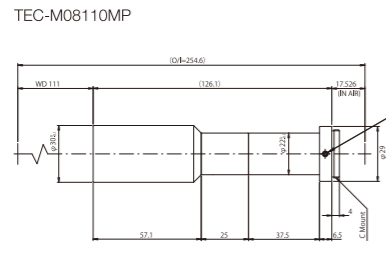
**TEC-M08110MPC
TEC-M08110MP**



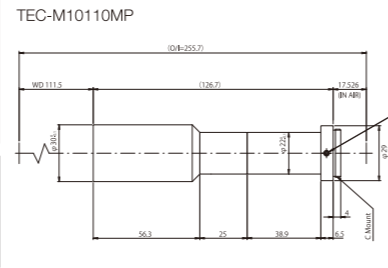
**TEC-M10110MPC
TEC-M10110MP**



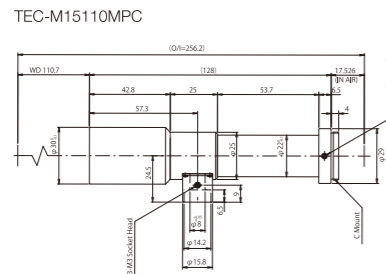
Model (with coaxial type)	TEC-M08110MPC
Model (straight type)	TEC-M08110MP
Format	2/3"φ11mm
Magnification	0.8x
Working Distance	111mm
Resolving Power *1	8.8μm
Depth of Field *2	1.31mm
NA	0.038
Effective F number	10.2
TV Distortion	-0.027%
Field of View	2/3inch 11 x 8.25mm 1/1.8inch 8.97 x 6.65mm 1/2inch 8 x 6mm 1/3inch 6 x 4.5mm
Mount	C-mount
Weight (with coaxial type)	106g
Weight (straight type)	103g



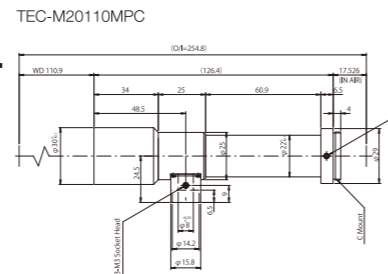
Model (with coaxial type)	TEC-M10110MPC
Model (straight type)	TEC-M10110MP
Format	2/3"φ11mm
Magnification	1x
Working Distance	111.5mm
Resolving Power *1	6.9μm
Depth of Field *2	0.82mm
NA	0.049
Effective F number	10.1
TV Distortion	-0.003%
Field of View	2/3inch 8.8 x 6.6mm 1/1.8inch 7.18 x 5.32mm 1/2inch 6.4 x 4.8mm 1/3inch 4.8 x 3.6mm
Mount	C-mount
Weight (with coaxial type)	108g
Weight (straight type)	105g



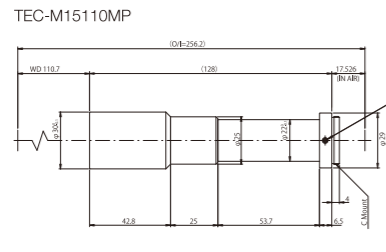
**TEC-M15110MPC
TEC-M15110MP**



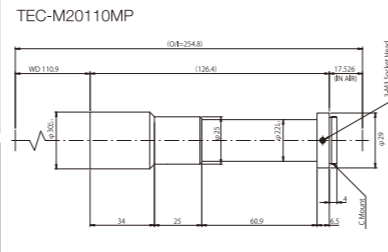
**TEC-M20110MPC
TEC-M20110MP**



Model (with coaxial type)	TEC-M15110MPC
Model (straight type)	TEC-M15110MP
Format	2/3"φ11mm
Magnification	1.5x
Working Distance	110.7mm
Resolving Power *1	5.2μm
Depth of Field *2	0.42mm
NA	0.064
Effective F number	11.5
TV Distortion	0.031%
Field of View	2/3inch 5.87 x 4.4mm 1/1.8inch 4.79 x 3.55mm 1/2inch 4.27 x 3.2mm 1/3inch 3.2 x 2.4mm
Mount	C-mount
Weight (with coaxial type)	110g
Weight (straight type)	108g



Model (with coaxial type)	TEC-M20110MPC
Model (straight type)	TEC-M20110MP
Format	2/3"φ11mm
Magnification	2x
Working Distance	110.9mm
Resolving Power *1	4.5μm
Depth of Field *2	0.27mm
NA	0.075
Effective F number	13
TV Distortion	-0.019%
Field of View	2/3inch 4.4 x 3.3mm 1/1.8inch 3.59 x 2.66mm 1/2inch 3.2 x 2.4mm 1/3inch 2.4 x 1.8mm
Mount	C-mount
Weight (with coaxial type)	115g
Weight (straight type)	113g



TEC

TELECENTRIC LENS SERIES for MACHINE VISION

* 1 : Theoretical resolution calculated with a wavelength of 550nm
* 2 : Value calculated with a permissible circle of confusion of 40μm

TEC V-SERIES TELECENTRIC LENS

- ▶ Compatible with 5MP sensors on 1" cameras
- ▶ Versatile four-lens lineup designed for 65mm and 110mm WD (working distance)
- ▶ 0.5x and 1.0x magnification options available
- ▶ Low TV distortion correction up to the furthest corner (0.01 ~ 0.02s%)

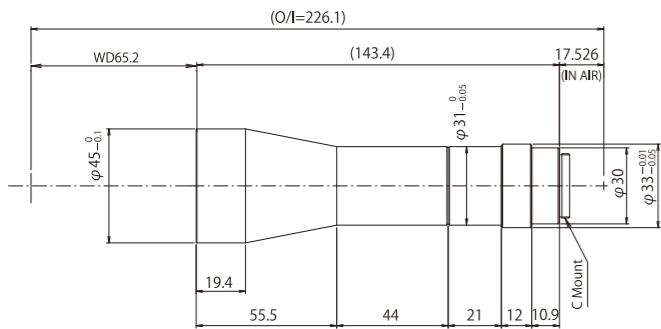
WD-65mm

TEC-V0565MPW



Model	TEC-V0565MPW
Format	1"φ16.8mm
Magnification	0.5x
Working Distance	65.2mm
Resolving Power *1	12μm
Depth of Field *2	2.88mm
NA	0.027
Effective F number	9.0
TV Distortion	-0.014%

Field of View	1inch	25.6 x 19.2mm
	2/3inch	17.6 x 13.2mm
	1/1.8inch	14.4 x 10.8mm
	1/2inch	12.8 x 9.6mm
Mount	C-mount	
Weight	189g	

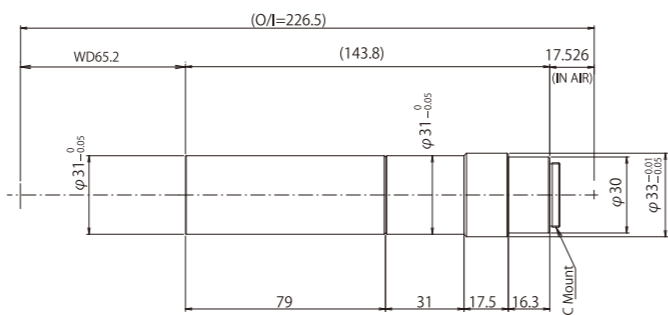


TEC-V1065MPW



Model	TEC-V1065MPW
Format	1"φ16.8mm
Magnification	1x
Working Distance	65.2mm
Resolving Power *1	6μm
Depth of Field *2	0.72mm
NA	0.055
Effective F number	9.0
TV Distortion	-0.023%

Field of View	1inch	12.8 x 9.6mm
	2/3inch	8.8 x 6.6mm
	1/1.8inch	7.2 x 5.4mm
	1/2inch	6.4 x 4.8mm
Mount	C-mount	
Weight	158g	



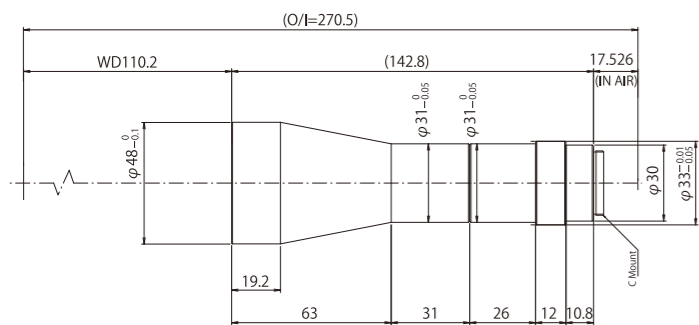
WD-110mm

TEC-V05110MPW



Model	TEC-V05110MPW
Format	1"φ16.8mm
Magnification	0.5x
Working Distance	110.2mm
Resolving Power *1	12μm
Depth of Field *2	2.88mm
NA	0.027
Effective F number	9.0
TV Distortion	0.012%

Field of View	1inch	25.6 x 19.2mm
	2/3inch	17.6 x 13.2mm
	1/1.8inch	14.4 x 10.8mm
	1/2inch	12.8 x 9.6mm
Mount	C-mount	
Weight	197g	

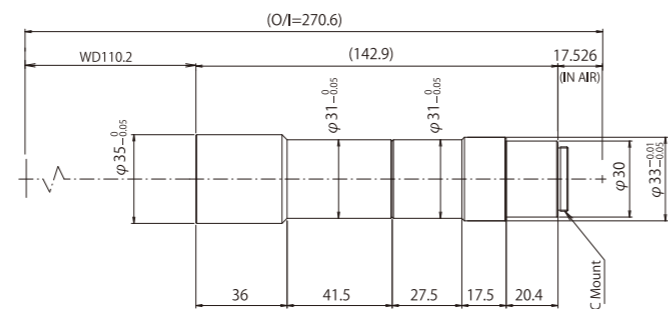


TEC-V10110MPW



Model	TEC-V10110MPW
Format	1"φ16.8mm
Magnification	1x
Working Distance	110.2mm
Resolving Power *1	6μm
Depth of Field *2	0.72mm
NA	0.055
Effective F number	9.0
TV Distortion	0.015%

Field of View	1inch	12.8 x 9.6mm
	2/3inch	8.8 x 6.6mm
	1/1.8inch	7.2 x 5.4mm
	1/2inch	6.4 x 4.8mm
Mount	C-mount	
Weight	159g	



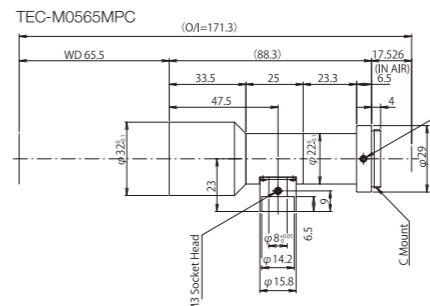
* 1 : Theoretical resolution calculated with a wavelength of 550nm
* 2 : Value calculated with a permissible circle of confusion of 40μm

TEC M-SERIES TELECENTRIC LENS

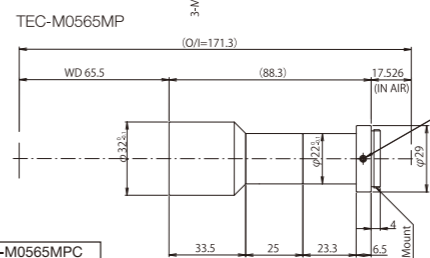
- ▶ Compatible with 2MP sensors on 2/3" cameras
- ▶ A wide variety of magnification options available
- ▶ (65mm WD - 0.5x, 0.8x, 1.0x, 2.0x, 110mm WD - 0.3x, 0.5x, 0.8x, 1.0x, 1.5x, 2.0x) which include coaxial models
- ▶ Low TV distortion correction to the furthest corner (0.01 ~ 0.03s%)

WD-65mm

TEC-M0565MPC



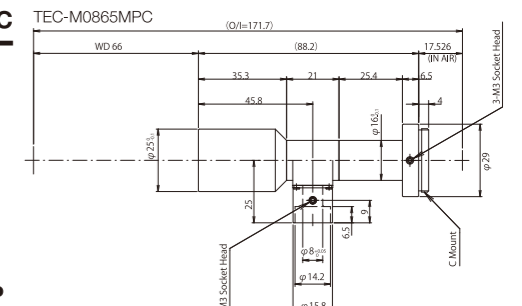
TEC-M0565MP



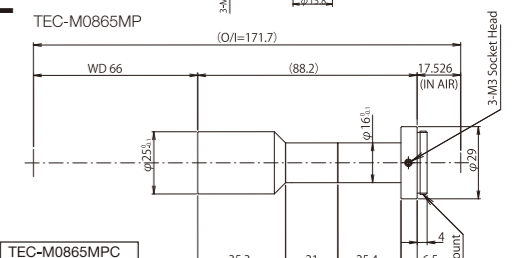
Model (with coaxial type)	TEC-M0565MPC
Model (straight type)	TEC-M0565MP
Format	2/3"φ11mm
Magnification	0.5x
Working Distance	65.5mm
Resolving Power *1	12μm
Depth of Field *2	2.87mm
NA	0.028
Effective F number	9.0
TV Distortion	-0.012%

Field of View	2/3inch	17.6 x 13.2mm
	1/1.8inch	14.35 x 10.64mm
	1/2inch	12.8 x 9.6mm
	1/3inch	9.6 x 7.2mm
Mount	C-mount	
Weight (with coaxial type)	80g	
Weight (straight type)	77g	

TEC-M0865MPC



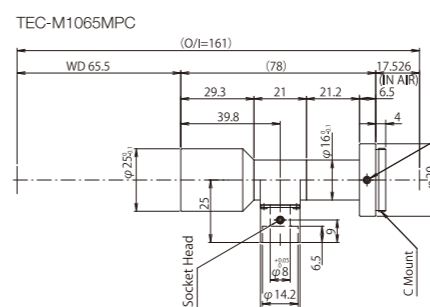
TEC-M0865MP



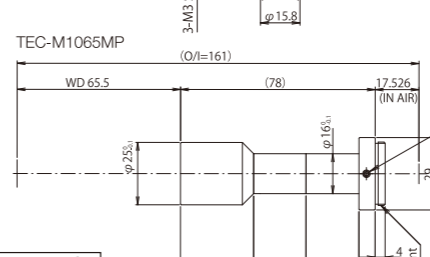
Model (with coaxial type)	TEC-M0865MPC
Model (straight type)	TEC-M0865MP
Format	2/3"φ11mm
Magnification	0.8x
Working Distance	66mm
Resolving Power *1	8μm
Depth of Field *2	1.18mm
NA	0.042
Effective F number	9.4
TV Distortion	0.008%

Field of View	2/3inch	11 x 8.25mm
	1/1.8inch	8.97 x 6.65mm
	1/2inch	8 x 6mm
	1/3inch	6 x 4.5mm
Mount	C-mount	
Weight (with coaxial type)	62g	
Weight (straight type)	57g	

TEC-M1065MPC



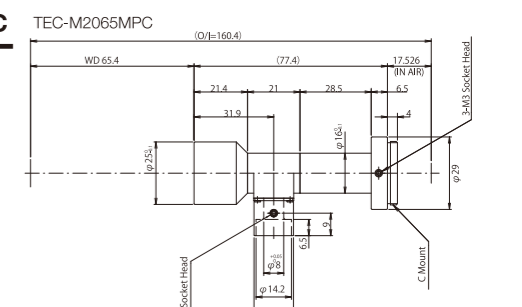
TEC-M1065MP



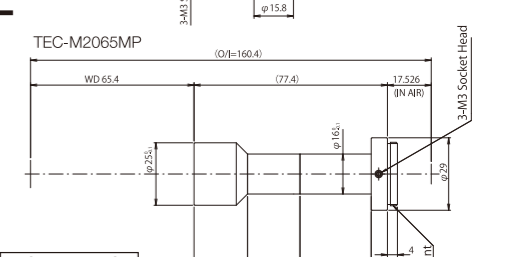
Model (with coaxial type)	TEC-M1065MPC
Model (straight type)	TEC-M1065MP
Format	2/3"φ11mm
Magnification	1x
Working Distance	65.5mm
Resolving Power *1	6.7μm
Depth of Field *2	0.79mm
NA	0.05
Effective F number	9.8
TV Distortion	-0.022%

Field of View	2/3inch	8.8 x 6.6mm
	1/1.8inch	7.18 x 5.32mm
	1/2inch	6.4 x 4.8mm
	1/3inch	4.8 x 3.6mm
Mount	C-mount	
Weight (with coaxial type)	54g	
Weight (straight type)	49g	

TEC-M2065MPC



TEC-M2065MP



Model (with coaxial type)	TEC-M2065MPC
Model (straight type)	TEC-M2065MP
Format	2/3"φ11mm
Magnification	2x
Working Distance	65.4mm
Resolving Power *1	4.4μm
Depth of Field *2	0.26mm
NA	0.076
Effective F number	12.8
TV Distortion	0.020%

Field of View	2/3inch	4.4 x 3.3mm
	1/1.8inch	3.59 x 2.66mm
	1/2inch	3.2 x 2.4mm
	1/3inch	2.4 x 1.8mm
Mount	C-mount	
Weight (with coaxial type)	55g	
Weight (straight type)	49g	

* 1 : Theoretical resolution calculated with a wavelength of 550nm
* 2 : Value calculated with a permissible circle of confusion of 40μm