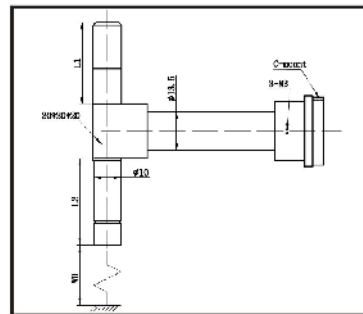
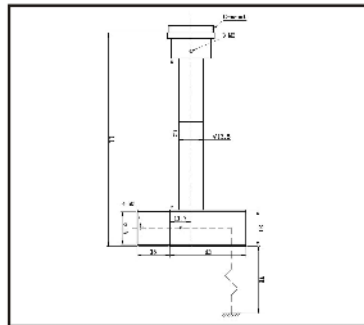
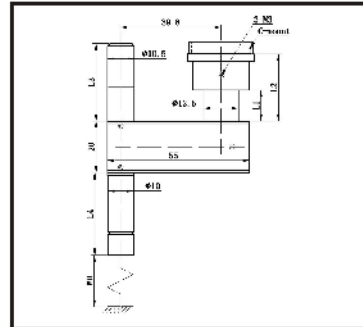


鏡頭組件A

LENS PAIRS



Lens Pairs for application in alignments with two marks. Minimal pitch of optical axis can be 3mm. There are several options in mechanical shape.