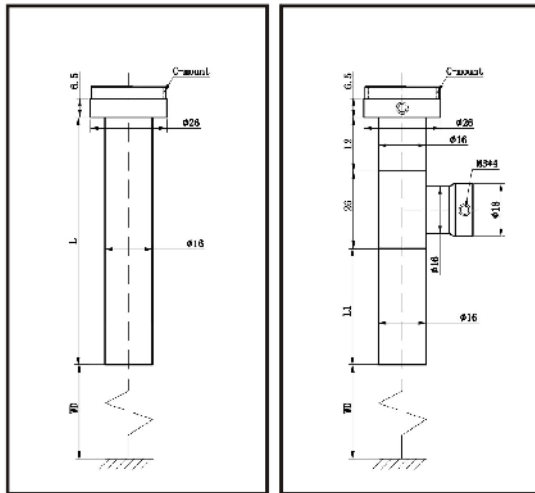


高性能遠心鏡頭 長工作距離型

LONG WD

Feature:
 Working distance 150-350mm
 Magnification 0.8-2.0
 Thin diamond 16mm
 High optical performance
 Standard C-Mount or customized
 Optional coaxial types



Applications :

- Wafer OCR, Wafer Pattern, Wafer Marking
- Wire bonding and Die bonding image system
- LED chip
- test/inspection/pick&place/bonding
- ITO Glass/STN LCD/TFT LCD Mark Alignment
- LCM COG, LCM FOG, PDP Alignment, PDP OCR
- Solar chip alignment
- Parts recognition

Long WD, C-mount, CCD Size=1/2

A: non-coaxial C: coaxial

Model	β	WD (mm)	L (mm)	L1 (mm)	L2 (mm)	Resolution (μ m)	Depth of field (mm)	FNo	TV Distortion
WWL10-150C	1.0	150 \pm 4	83.3	39.4	17.9	15.0	0.9	12.6	\leq 0.01%
WWL12-150C	1.2	150 \pm 4	81.8	35.6	20.2	15.0	0.7	15.1	\leq 0.01%
WWL15-150C	1.5	150 \pm 4	116.1	35.6	54.5	15.0	0.5	19.1	\leq 0.01%
WWL20-150C	2.0	150 \pm 4	145.5	35.6	83.9	15.0	0.4	25.2	\leq 0.01%
WWL10-250A	1.0	250 \pm 6	162.4	/	/	18.0	1.6	21.3	\leq 0.01%
WWL10-350A	1.0	350 \pm 10	204.8	/	/	22.0	2.5	35.3	\leq 0.01%