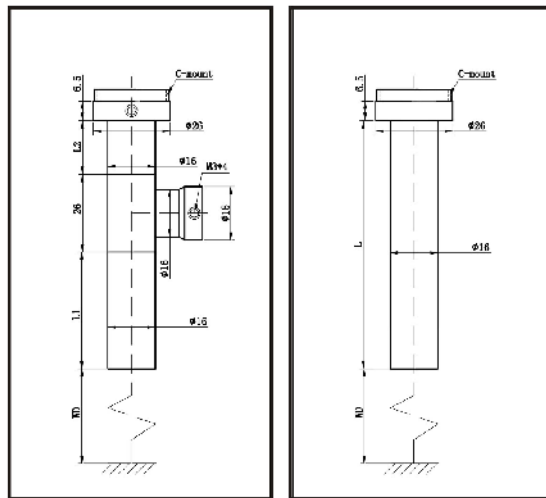


高性能遠心鏡頭 工作距離:110mm

WD110MM

Feature:

- Standard magnification and WD
- Small size and light weight
- High optical performance
- Standard C-Mount
- Optional coaxial types
- Reasonable price



Applications :

- Wafer OCR, Wafer Pattern, Wafer Marking
- Wire bonding and Die bonding image system
- LED chip test/inspection/pick&place/bonding
- ITO Glass/STN LCD/TFT LCD Mark Alignment
- LCM COG, LCM FOG, PDP Alignment, PDP OCR
- Solar chip alignment
- Parts recognition

WD=110, C-mount, CCD Size=1/2

A:non-coaxial C:coaxial

Model	β	L (mm)	L1 (mm)	L2 (mm)	Resolution (μ m)	Depth of field(mm)	FNo	TV Distortion
WWL08-110A	0.8	103.0	36.0	41.0	8.5	1.88	11.2	$\leq 0.01\%$
WWL10-110A/C	1.0	93.0	32.0	35.0	8.5	1.51	12.0	$\leq 0.01\%$
WWL15-110A/C	1.5	76.2	36.0	14.2	8.5	0.93	18.1	$\leq 0.01\%$
WWL20-110A/C	2.0	114.6	36.0	52.6	8.5	0.65	24.8	$\leq 0.01\%$
WWL30-110A/C	3.0	73.6	18.0	29.6	8.5	0.41	36.3	$\leq 0.01\%$
WWL40-110A/C	4.0	92.5	26.5	40.0	8.5	0.20	48.2	$\leq 0.01\%$