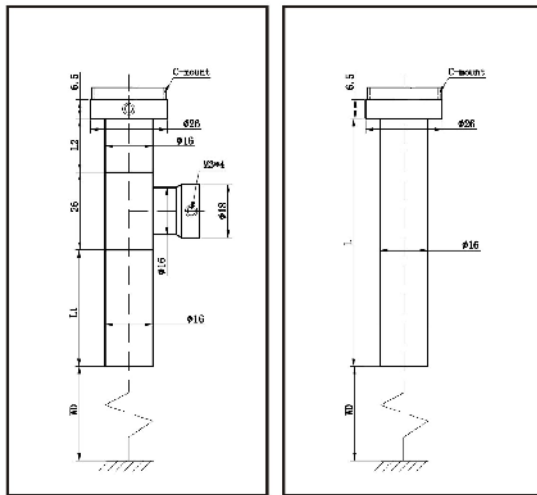


# 高性能遠心鏡頭 工作距離:65mm

## WD65MM

### Feature:

- Standard magnification and WD
- Small size and light weight
- High optical performance
- Standard C-Mount
- Optional coaxial types
- Reasonable price



### Applications :

- Wafer OCR, Wafer Pattern, Wafer Marking
- Wire bonding and Die bonding image system
- LED chip test/inspection/pick&place/bonding
- ITO Glass/STN LCD/TFT LCD Mark Alignment
- LCM COG, LCM FOG, PDP Alignment, PDP OCR
- Solar chip alignment
- Parts recognition

WD=65,C-mount,CCD Size=1/2

A:non-coaxial C:coaxial

Model	$\beta$	L (mm)	L1 (mm)	L2 (mm)	Resolution ( $\mu$ m)	Depth of field(mm)	FNo	TV Distortion
WWL08-65A	0.8	32.0	/	/	7.6	1.78	6.4	$\leq 0.01\%$
WWL10-65A/C	1.0	45.3	16.4	2.9	7.6	1.32	8.0	$\leq 0.01\%$
WWL15-65A/C	1.5	76.7	21.3	29.4	7.6	0.52	12.0	$\leq 0.01\%$
WWL20-65A/C	2.0	58.0	12.0	20.0	7.6	0.32	16.0	$\leq 0.01\%$
WWL30-65A/C	3.0	53.7	25.0	2.7	7.6	0.21	24.0	$\leq 0.01\%$
WWL40-65A/C	4.0	63.8	25.0	12.8	7.6	0.17	32.0	$\leq 0.01\%$